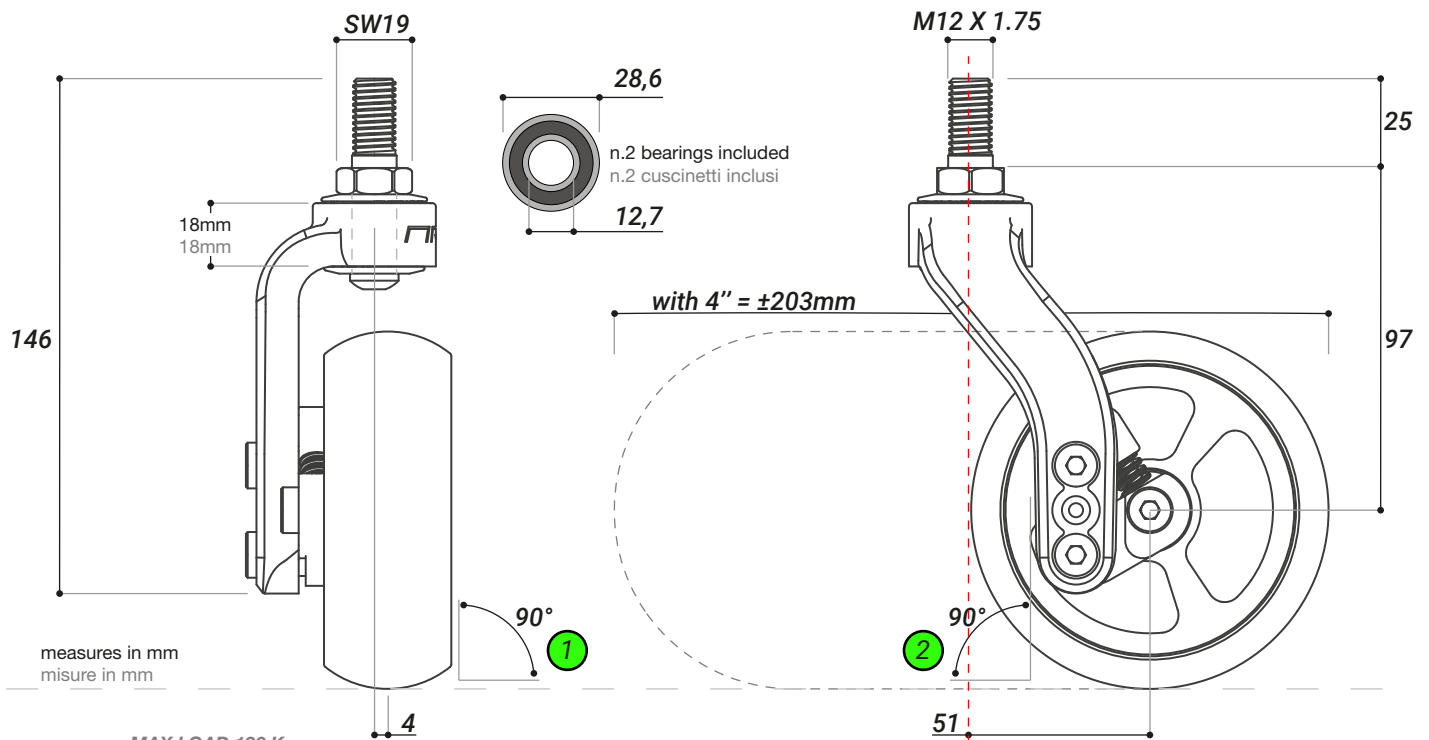


# smooth<sup>®</sup>

## TECHNICAL INFO INFORMAZIONI TECNICHE



### MAX LOAD 120 Kg

- ⚠ Attention it could change the setting of the wheelchair.  
Before mounting, read carefully the technical info and verify the dimensions.  
For a correct assembly, it is recommended to mount the fork in order to obtain the angle ① and the angle ② at 90°

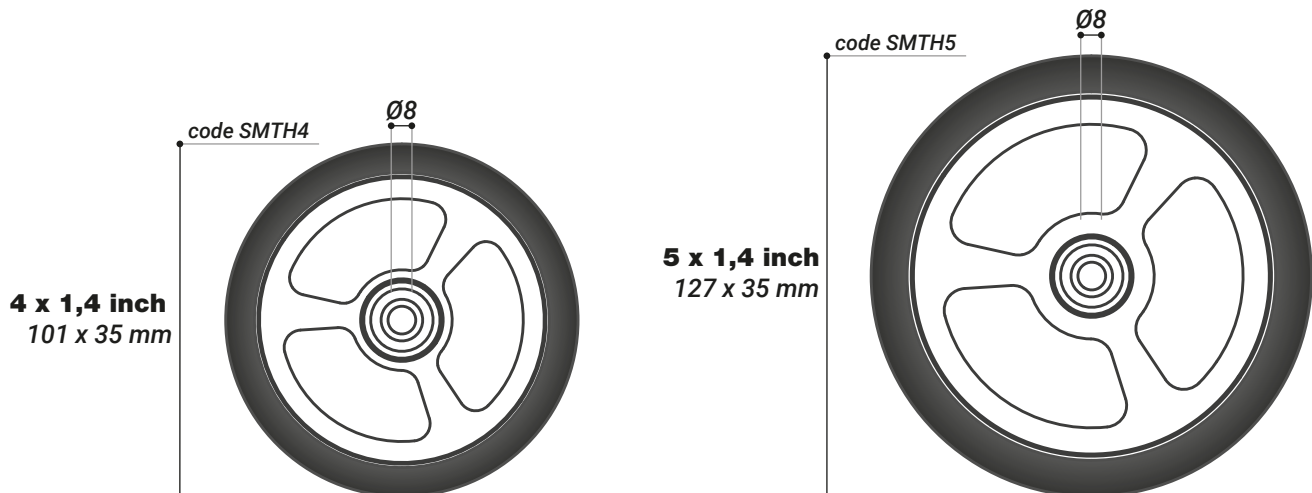
### CARICO MASSIMO 120 Kg

- ⚠ Attenzione potrebbe cambiare l'assetto della carrozzina  
Prima del montaggio, leggere attentamente le informazioni tecniche e verificare le dimensioni.  
Per un corretto montaggio si consiglia di montare la forcella al fine di ottenere l'angolo ① e l'angolo ② a 90°

## POSSIBLE CONFIGURATIONS POSSIBILI CONFIGURAZIONI

The Smooth forks, can be mounted with 4 inch castors (code SMTH4) or 5 inch castors (code SMTH5)

Le forcelle Smooth, possono essere montate con ruotine da 4 pollici (code SMTH4) o con 5 pollici (code SMTH5)



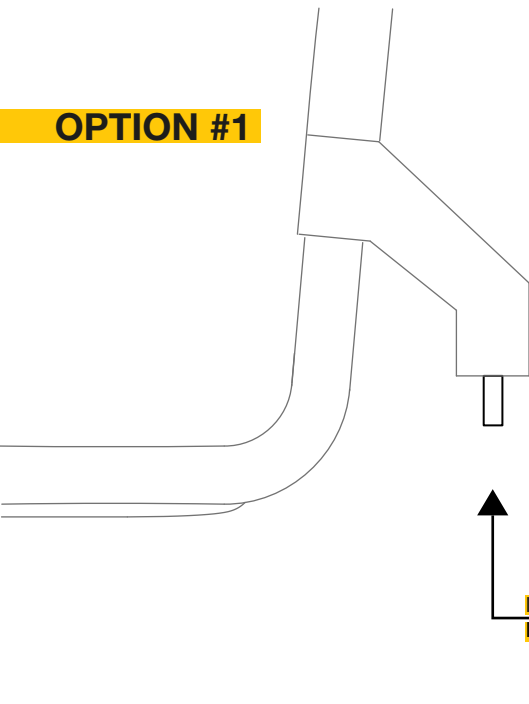
### ARIA WHEELS SRL

Registered Office\_Via della Divisione Torino, 92 00143 Roma - Italy  
Production Dept.\_Via A.Volta, 7/B 36030 Costabissara (VI) - Italy  
VAT IT 12848301003 | tel.+39 04441322533  
www.ariawheels.com | info@ariawheels.com

# smooth<sup>®</sup>

## SMOOTH ASSEMBLY INSTRUCTIONS ISTRUZIONI DI MONTAGGIO SMOOTH

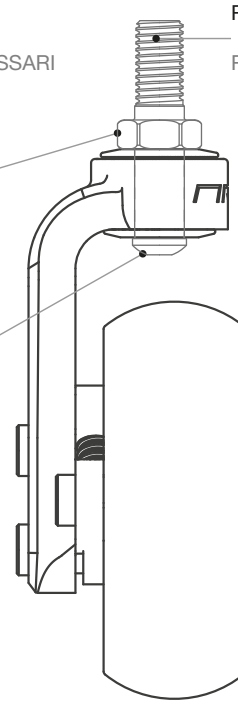
### OPTION #1



Insert Smooth in the 12,7mm pin  
Inserisci Smooth nel perno da 12,7mm

TOOLS NEEDED

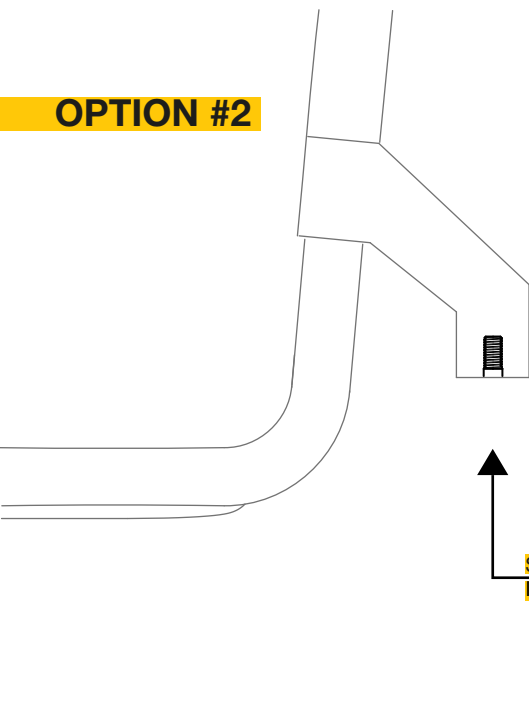
STRUMENTI NECESSARI



REMOVE THE THREADED PIN

RIMUOVERE IL PERNO FILETTATO

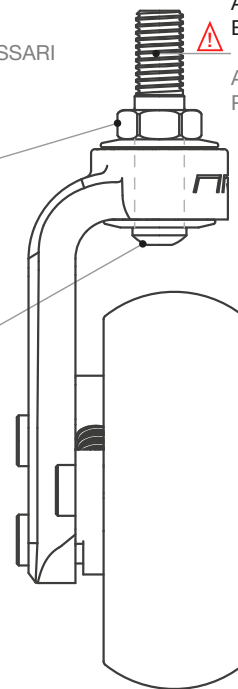
### OPTION #2



Screw the Smooth in the threaded bushing  
Inserisci Smooth nel perno da 12,7mm

TOOLS NEEDED

STRUMENTI NECESSARI



APPLY THREADLOCKER  
BEFORE SCREWING

APPLICARE FRENAFILETTI  
PRIMA DI AVVITARE

ARIA WHEELS SRL

Registered Office\_ Via della Divisione Torino, 92 00143 Roma - Italy

Production Dept\_ Via A.Volta, 7/B 36030 Costabissara (VI) - Italy

VAT IT 12848301003 | tel. +39 04441322533

www.ariawheels.com | info@ariawheels.com

<b>1.0</b>	PRODUCT	SHF	SEAT		FOOTREST		Cast. 4"	SMTH4 or Cast. 5"	SMTH5
	SHF520	CARBFX	CARBTF	FOADJ	FONOT	KHL440 max	KHL420 max	KHL400 max	
	SHF510	CARBFX	CARBTF	FOADJ	FONOT	KHL430 max	KHL410 max	KHL390 max	
	SHF500	CARBFX	CARBTF	FOADJ	FONOT	KHL420 max	KHL400 max	KHL380 max	
	SHF490	CARBFX	CARBTF	FOADJ	FONOT	KHL410 max	KHL390 max	KHL370 max	
	SHF480	CARBFX	CARBTF	FOADJ	FONOT	KHL400 max	KHL380 max	KHL360 max	
	SHF470	CARBFX	CARBTF	FOADJ	FONOT	KHL390 max	KHL370 max	KHL350 max	
	SHF460	CARBFX	CARBTF	FOADJ	FONOT	KHL380 max	KHL360 max	KHL340 max	

<i>Speciale</i>	PRODUCT	SHF	SEAT		FOOTREST			Cast. 4"	SMTH4 or Cast. 5"	SMTH5
	SHF530	CARBTS1			FOOTA3	FOOTA2	FOOTFU			KHL420 max
	SHF520	CARBTS1			FOOTA3	FOOTA2	FOOTFU	KHL460 max	KHL440 max	KHL410 max
	SHF510	CARBTS1			FOOTA3	FOOTA2	FOOTFU	KHL450 max	KHL430 max	KHL400 max
	SHF500	CARBTS1			FOOTA3	FOOTA2	FOOTFU	KHL440 max	KHL420 max	KHL390 max
	SHF490	CARBTS1			FOOTA3	FOOTA2	FOOTFU	KHL430 max	KHL410 max	KHL380 max
SHF480	CARBTS1	CARBTT1	CARBFS1	FOOTA3	FOOTA2	FOOTFU	KHL420 max	KHL400 max		

<i>Speciale</i>	PRODUCT	SHF	SEAT		FOOTREST	Cast. 4"	SMTH4 or Cast. 5"	SMTH5
	SHF530	CARBTS1			FOOTFB			KHL390 max
	SHF520	CARBTS1			FOOTFB	KHL430 max	KHL410 max	KHL380 max
	SHF510	CARBTS1			FOOTFB	KHL420 max	KHL400 max	KHL370 max
	SHF500	CARBTS1			FOOTFB	KHL410 max	KHL390 max	KHL360 max
	SHF490	CARBTS1			FOOTFB	KHL400 max	KHL380 max	KHL350 max
SHF480	CARBTS1	CARBTT1	CARBFS1	FOOTFB	KHL390 max	KHL370 max		

<b>2.0</b> <i>ULTRM</i>	PRODUCT	SHF	SEAT	FRAME	FOOTREST		Cast. 4"	SMTH4 or Cast. 5"	SMTH5
	SHF530	CARBTS	STDF	FOOTA2	FOOTA3	FOOTFU			KHL410 max
	SHF520	CARBTS	STDF	FOOTA2	FOOTA3	FOOTFU	KHL460 max	KHL440 max	KHL400 max
	SHF510	CARBTS	STDF	FOOTA2	FOOTA3	FOOTFU	KHL450 max	KHL430 max	KHL390 max
	SHF500	CARBTS	STDF	FOOTA2	FOOTA3	FOOTFU	KHL440 max	KHL420 max	KHL380 max
	SHF490	CARBTS	STDF	FOOTA2	FOOTA3	FOOTFU	KHL430 max	KHL410 max	KHL370 max
	SHF480	CARBTS	STDF	FOOTA2	FOOTA3	FOOTFU	KHL420 max	KHL400 max	
	SHF500	CARBTS	LWDF	FOOTA2	FOOTA3	FOOTFU			KHL370 max
	SHF490	CARBTS	LWDF	FOOTA2	FOOTA3	FOOTFU	KHL420 max	KHL400 max	KHL360 max
	SHF480	CARBTS	LWDF	FOOTA2	FOOTA3	FOOTFU	KHL410 max	KHL390 max	KHL350 max
	SHF470	CARBTS	LWDF	FOOTA2	FOOTA3	FOOTFU	KHL400 max	KHL380 max	KHL340 max
	SHF460	CARBTS	LWDF	FOOTA2	FOOTA3	FOOTFU	KHL390 max	KHL370 max	KHL330 max
SHF450	CARBTS	LWDF	FOOTA2	FOOTA3	FOOTFU	KHL380 max	KHL360 max		

<b>2.0</b> <i>ULTRM</i>	PRODUCT	SHF	SEAT	FRAME	FOOTREST	SMTH5	SMTH4 or Cast. 5"	SMTH5
	SHF530	CARBTS	STDF	FOOTFB				KHL380 max
	SHF520	CARBTS	STDF	FOOTFB	KHL430 max	KHL410 max	KHL370 max	
	SHF510	CARBTS	STDF	FOOTFB	KHL420 max	KHL400 max	KHL360 max	
	SHF500	CARBTS	STDF	FOOTFB	KHL410 max	KHL390 max	KHL350 max	
	SHF490	CARBTS	STDF	FOOTFB	KHL400 max	KHL380 max	KHL340 max	
	SHF480	CARBTS	STDF	FOOTFB	KHL390 max	KHL370 max		
	SHF500	CARBTS	LWDF	FOOTFB				KHL340 max
	SHF490	CARBTS	LWDF	FOOTFB	KHL390 max	KHL370 max	KHL330 max	
	SHF480	CARBTS	LWDF	FOOTFB	KHL380 max	KHL360 max	KHL320 max	
	SHF470	CARBTS	LWDF	FOOTFB	KHL370 max	KHL350 max	KHL310 max	
	SHF460	CARBTS	LWDF	FOOTFB	KHL360 max	KHL340 max	KHL300 max	
SHF450	CARBTS	LWDF	FOOTFB	KHL350 max	KHL330 max			