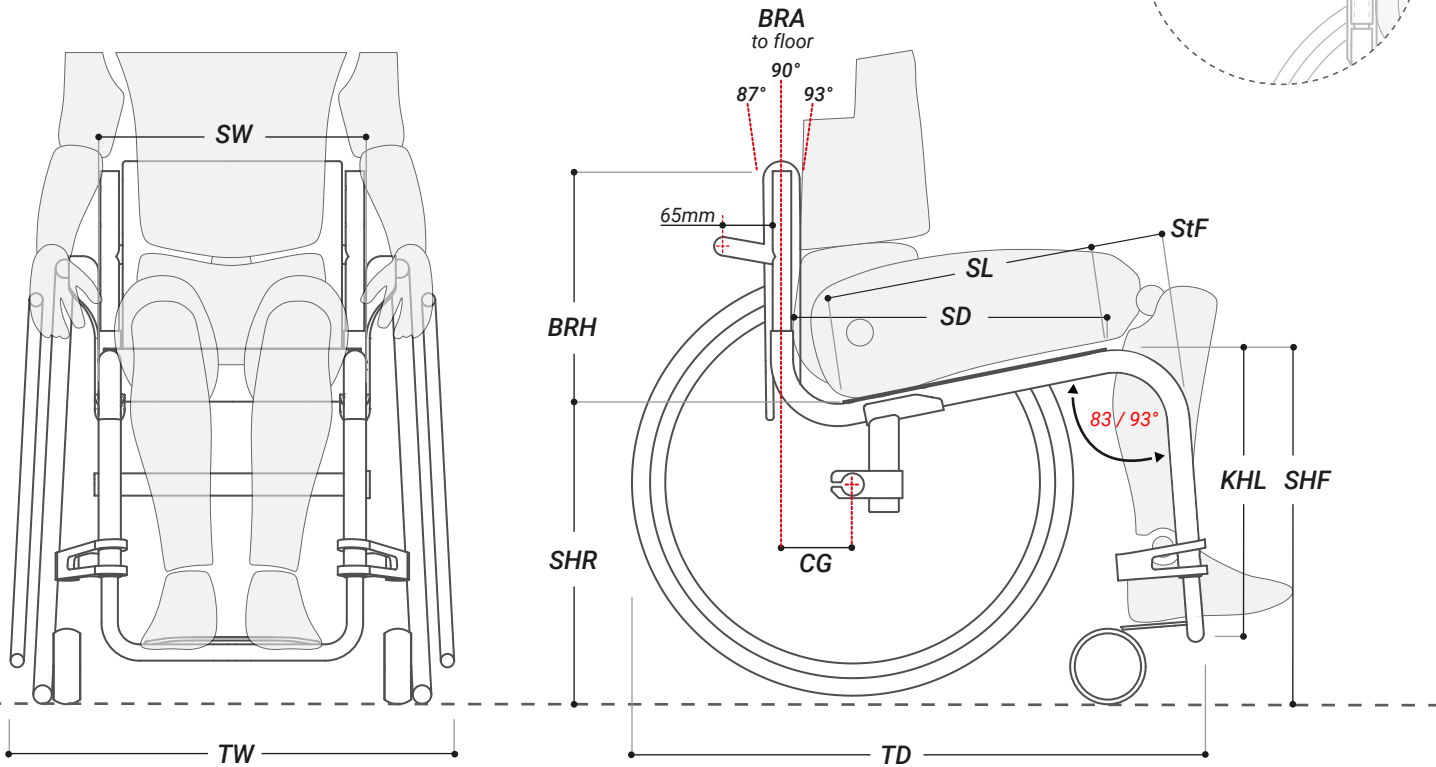


AGILE

TECHNICAL SCHEME

ARIAAG_V25.R0

PHY7 and CLACE = 105mm
PHY7 and CLALA/BKRTT = 155mm



The technical scheme do not consider the dimensions of any postural and anti decubitus cushions.

SW: Considered external tube to external tube of the frame. The dimension between the internal faces of the side guards is +5mm than the SW.

SD: Considered the depth of the seat. It considers the dimension from the end of the seat to the back tube.

SL: Considered the length of the seat pan. SL with CARBTT2 = SD - 60mm | SL with CARBTS1 = SD | SL with CARBFS1 = SD

CG: Considered from the backrest tube to the axle of the rear wheels.

SHF and SHR: Seat height front and rear can be adjusted.

BRH: Considered from the seat (upholstery or carbon) to the top of the backrest tube.

For a right sizing of the wheelchair is recommended:

- ① SW | Seat Width _ A space of ± 5 mm between the user basin and the side guards
- ② SD | Seat Depth _ A space of ± 50 mm between the user's popliteal fossa and the seat (rigid carbon or upholstery).



SW: 340 - 460 mm
in increments
of 20 mm



SD: 380 - 460 mm
in increments
of 20 mm



BRH: 270 - 405 mm
in increments
of 15 mm



SHR: 365 - 425 mm
in increments
of 15 mm



SHF: 435 - 495 mm
in increments
of 15 mm



KHL: 310 - 440 mm
in increments
of 10 mm



CG: 80 - 120 mm
in increments
of 20 mm



BRA: 87° - 93°
in increments
of 3°



CRW:
0° or 3°



StF:
FRM83= 105 - 145 mm
FRM93= 85 - 125 mm
in increments
of 20 mm



TOTAL WIDTH (TW)
(Camber 0°) SW + 175 mm
(Camber 3°) SW + 220 mm



TOTAL DEPTH (TD)
StF + SD + 105 + 100
+ (100-CG)



TRANSPORT WEIGHT:
(Without rear wheels)
 ± 6.0 kg*



**MAXIMUM
USER WEIGHT:**
120 Kg



*** CONFIGURATION:**
SW340 / SD420 / STF120 /
CG100 / BKRUR / BRH255 /
FOADJ / BRKASL / FRKDS2 /
BRKASL2 / ALCMT116 /
FRWC4 / CARB24 / BKRTT3

ARIA WHEELS SRL

Registered Office_Via della Divisione Torino, 92 00143 Roma - Italy

Production Dept._Via A.Volta, 7/B 36030 Costabissara (VI) - Italy

VAT IT 12848301003 | tel.+39 0444701414

www.ariawheels.com | info@ariawheels.com

AGILE

STANDARD CONFIGURATION

Frame angle:	Angle 83° - Closed frame (FRM83) Angle 93° - Open frame (FRM93)
Seat width (SW):	from 340 to 460 mm
Seat depth (SD):	from 360 to 460 mm
Seat to footrest (STF):	FRM83= 105 to 145 mm FRM93= 85 to 125 mm
Camber Rear Wheels (CRW):	0° or 3°
Center of Gravity (CG):	from 80 to 120 mm
Frame color:	Black (NR) Graphite Grey (GG) Light Green (VO) Yellow (GO)
Seat type:	Upholstery seat (CARBTT2)
Seat height rear (SHR):	from 380 to 450 mm
Seat height front (SHF):	from 480 to 520 mm
Backrest system:	Fixed backrest (BKRUR)
Backrest:	Aria® tension straps backrest (BKRTT3)
Backrest height (BRH):	from 270 to 405 mm
Backrest angle (BRA):	90° to the floor (BRA90)
Footrest:	Carbon fibre adjustable in height and flexion-extension (FOADJ)
Knee to heel length (KHL):	from 340 to 430 mm
Brakes support:	Aluminium standard clamp (BRKASL2)
Brakes:	Aria® scissor lock (BRKASL + BRKASR)
Rear wheels dimensions:	24 " 25 "
Rear wheels type:	Black Wheel with black hub and black spokes (RWHAG)
Handrim 24" / 25":	Black anodized aluminium (HDRMB) Silver anodized aluminium (HDRMS)
Tyre 24x1.00 / 25x1.00:	Schwalbe Right Run - Black/Grey (WTSWR)
Forks:	Aria® Double - Sided - black anodized aluminium (FRKDS2)
Front casters:	Black plastic 3" (FRWHP3) Black plastic 4" (FRWHP4)
Side guards support:	Aluminium support (ALCMT116)
Side guards:	Black ABS Fendered (SDAL3)
Calf band:	Calf band, height 8 cm - black textile (CLFB8)

Manufacturer's suggested retail price:

scan to configure



The product is manufactured with a tolerance of ± 5 mm

ARIA WHEELS SRL

Registered Office_Via della Divisione Torino, 92 00143 Roma - Italy

Production Dept._Via A.Volta, 7/B 36030 Costabissara (VI) - Italy

VAT IT 12848301003 | tel.+39 0444701414

www.ariawheels.com | info@ariawheels.com